

SlimDim™ Wireless Color Controller AL-60-03-0009



SlimDim Wireless Dimmers are a revolution in lighting control. Using long range RF technology, these dimmers avoid the need for connecting directly to a power supply, cutting down on cost and installation time. SlimDims are simple and quick to install.

- Mount anywhere: on a wall or in an outlet
- Fob controller detaches for mobile, hand-held control
- Basic color control for Radialux® RGB / RGB-W tape: pair with the Wireless RGB/RGB-W Receiver (AL-60-03-0004)
- Dimmers and receivers are sold separately

Specifications

- Dimensions: 2.6 x 1.3 x 0.35 in.
- Battery Type: CR2032
- RF Freq.: 868/915/434MHz
- Max. receivers per remote control: 20

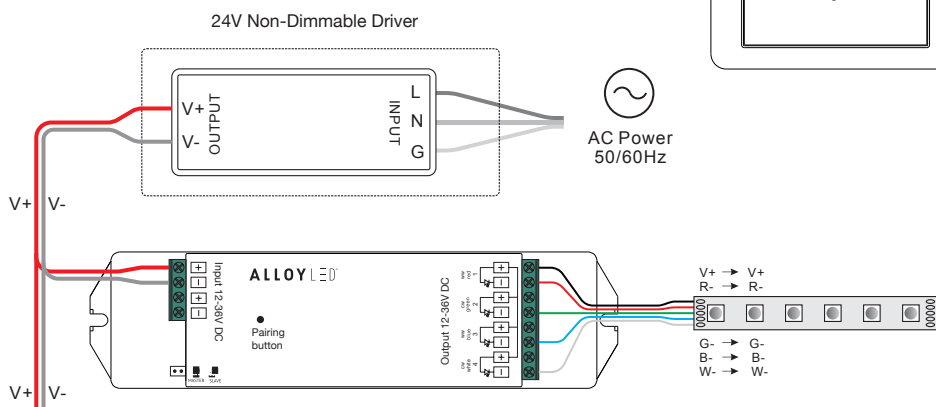
Operation

How to Pair the SlimDim RGB/RGB-W Controller with the Wireless Receiver (AL-60-03-0004)

1. Connect the components according to the diagram below.
2. Open the battery compartment and remove the plastic tab next to the battery.
3. Wake up the controller by touching the ON/OFF button. The power indicator will light up.
4. Short press the "Learning Key" button on the receiver for one second or less.
5. Touch the "RGB" button on the controller.
6. The connected LED lights will blink to confirm the pairing.

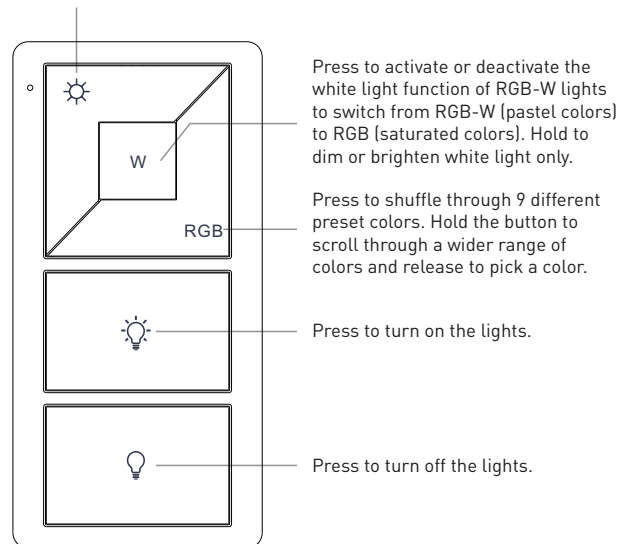
How to Unpair the Receiver and Controller

1. Hold down the "Learning Key" button on the receiver for 5 seconds. When the LED lights flash, the controller has been unpaired.



Keypad

Press and hold this button to dim. The next time you press and hold the button, the brightness will increase.



Press to activate or deactivate the white light function of RGB-W lights to switch from RGB-W (pastel colors) to RGB (saturated colors). Hold to dim or brighten white light only.

Press to shuffle through 9 different preset colors. Hold the button to scroll through a wider range of colors and release to pick a color.

Press to turn on the lights.

Press to turn off the lights.